

Dixie-Narco, [®] INC.

TWO-PIECE THREE WINDOW DISPLAY DOOR THIRD LIGHT OPTION INSTALLATION INSTRUCTIONS MODEL KIT(S) 601,050,12X.X4 & 602,050,07X.X4

Please read and understand these instructions before proceeding with the installation of the third light option. If you have any questions about any procedure, please call Dixie-Narco for assistance at (800) 688-9090.

KIT, OPTION THIRD LAMP DISPLAY TWO PIECE THREE WINDOW (72 NARROW) 602,050,07X.X4			
ITEM #	DESCRIPTION	PART NUMBER	QTY.
1	Screw, 6-32x3/8 Phil Pan Swag Form	900,301,37x.x1	4
2	Lamp, F14T12D 15" Daylight 14W	804,700,62x.x1	1
3	Assembly, Ballast SP-3 Display	804,400,51x.x1	1
4	Lamp Holder, Fluorescent	804,908,36x.x1	2
5	Base, Starter	804,908,92x.x1	1
6	Starter, FS-25 Plastic Case	904,800,41x.x1	1
7	Retainer, Wire Saddle - Horizontal	801,903,01x.x1	2

KIT, OPTION THIRD LAMP DISPLAY TWO PIECE THREE WINDOW (72 WIDE) 601,050,12X.X4			
ITEM #	DESCRIPTION	PART NUMBER	QTY.
1	Screw, 6-32x3/8 Phil Pan Swag Form	900,301,37x.x1	4
2	Lamp, F20T12D 24" Daylight 20W	804,700,05x.x1	1
3	Assembly, Ballast SP-3 Display	804,400,51x.x1	1
4	Lamp Holder, Fluorescent	804,908,36x.x1	2
5	Base, Starter	804,908,92x.x1	1
6	Starter, FS-25 Plastic Case	904,800,41x.x1	1
7	Retainer, Wire Saddle - Horizontal	801,903,01x.x1	3



**WARNING: RISK OF ELECTRIC SHOCK!
UNPLUG THE VENDING MACHINE BEFORE PROCEEDING.**

1. Using a Phillips screwdriver, remove the two screws to gain access to the panel. See figure 1.
2. Refer to page 5. Locate the grooves in the bottom side of the Lampholder. See Item #4.
3. Carefully slide the lampholder through the open slot as shown in figure 2. The lampholder should be flush against the back of the slot. Note: This procedure will be repeated for the opposite side of the panel.
4. Refer to figure 3. Position the starter base (item #5) to align with the mounting holes in the side wall of the panel. Note: The short wire lead should be positioned on top.
5. Using a Phillips screwdriver, install screws through the side wall (see figure 4) until they align with the holes in the starter base. Carefully tighten the screws until the starter base is secured.
6. Install the ballast assembly (see item #3) by aligning the slots in the ballast with holes in the panel.
7. Using a Phillips screwdriver, install the screws as shown in figure 5. Note: The label on the ballast may be upside-down.
8. Locate the poles on the starter (item #6). Align the poles to the terminal slots in the starter base (see figure 3) and carefully turn the starter clockwise until securely fastened.
9. Locate the holes in the panel for mounting wire retainers (see figure 6). Carefully insert the wire retainer (item #7) into the holes until securely fastened. Note: Wire retainers should be in the vertical position as shown.
10. Fully insert the short lead from the ballast connector in the left side of the lampholder as shown in figure 7.
11. Fully insert the long lead of the ballast in the right side of the lampholder as shown in figure 7.
12. Fully insert the short lead of the starter base in the left side of the lampholder as shown in figure 7.
13. Fully insert the long lead of the starter base in the right side of the lampholder as shown in figure 7. Note: After installing all wires in the lampholders, verify that the wires are fully inserted and that no bare copper wire is exposed.
14. Carefully slide the wires in the wire retainers as shown in figure 7.
15. Install the lamp (item #2) in the lampholders by aligning the pins on the lamp with the slots in the lampholders. Slide the lamp poles in the slots until flush with the bottom of the socket. Carefully twist the lamp until it is securely fastened.
16. Insert the two-way plug (male) of the ballast assembly into the existing two-way cap (female) as shown in figure 8.
17. Plug the vender in and verify that the lights are working properly. If the lights do not operate, unplug the vender before troubleshooting.
18. Secure the access panel with the screws removed in step #1.

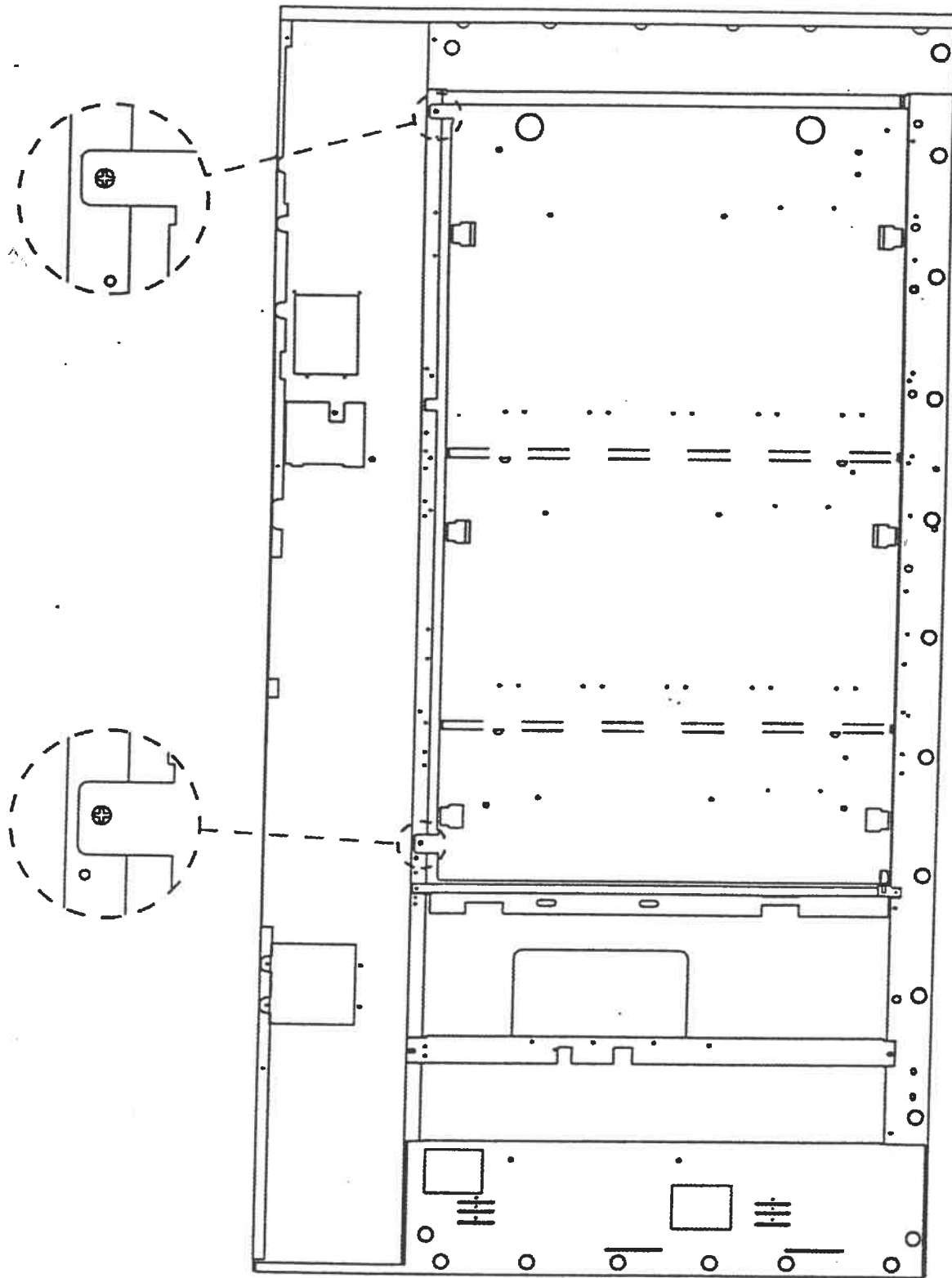


FIGURE 1

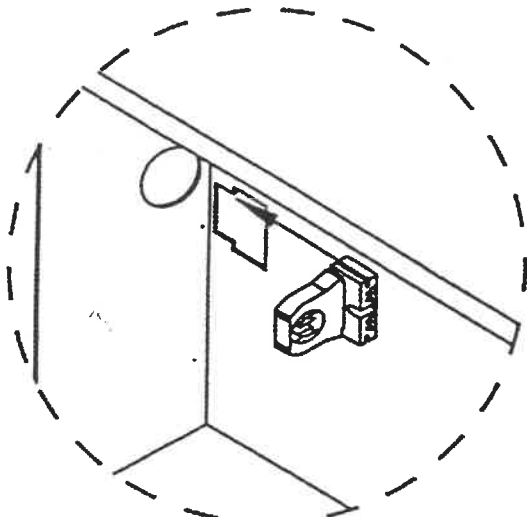


FIGURE 2

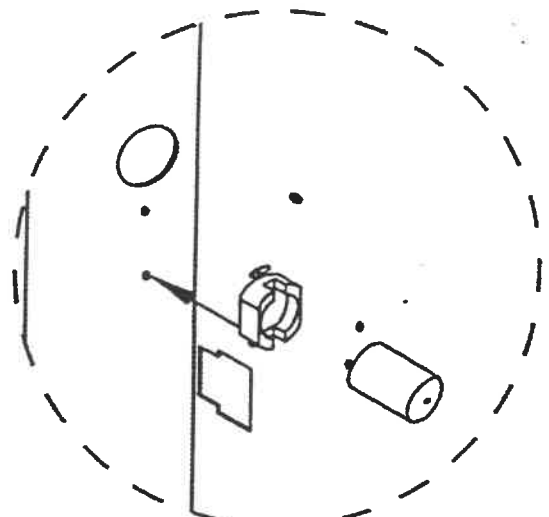


FIGURE 3

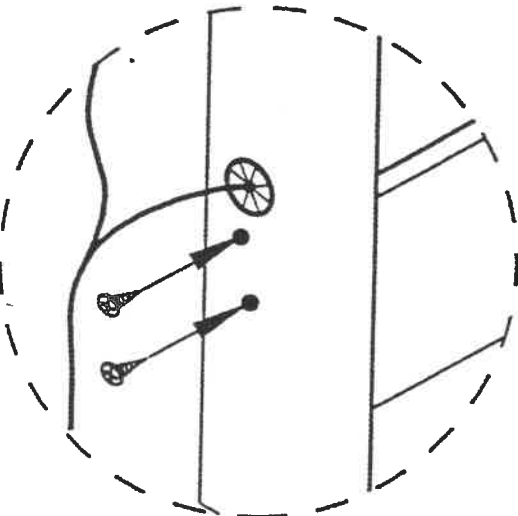


FIGURE 4

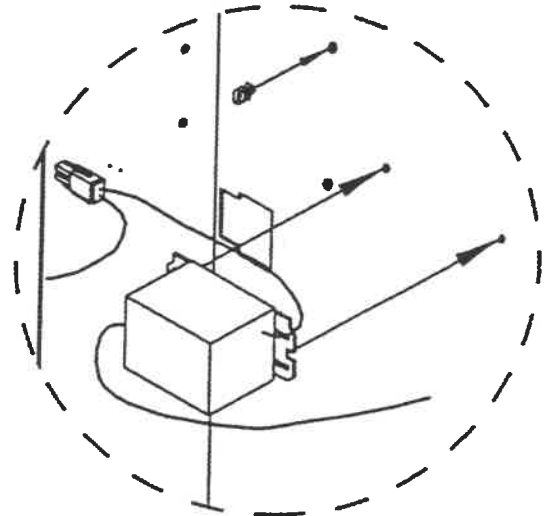


FIGURE 5

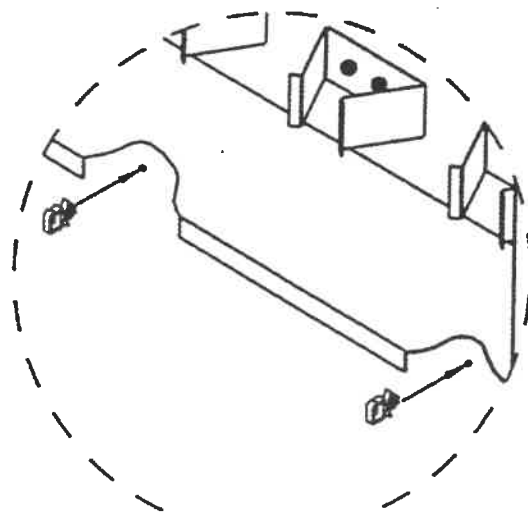
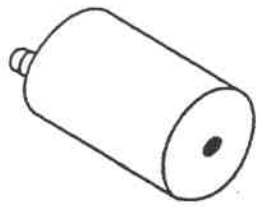


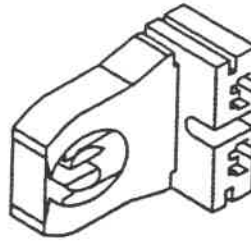
FIGURE 6



ITEM #6



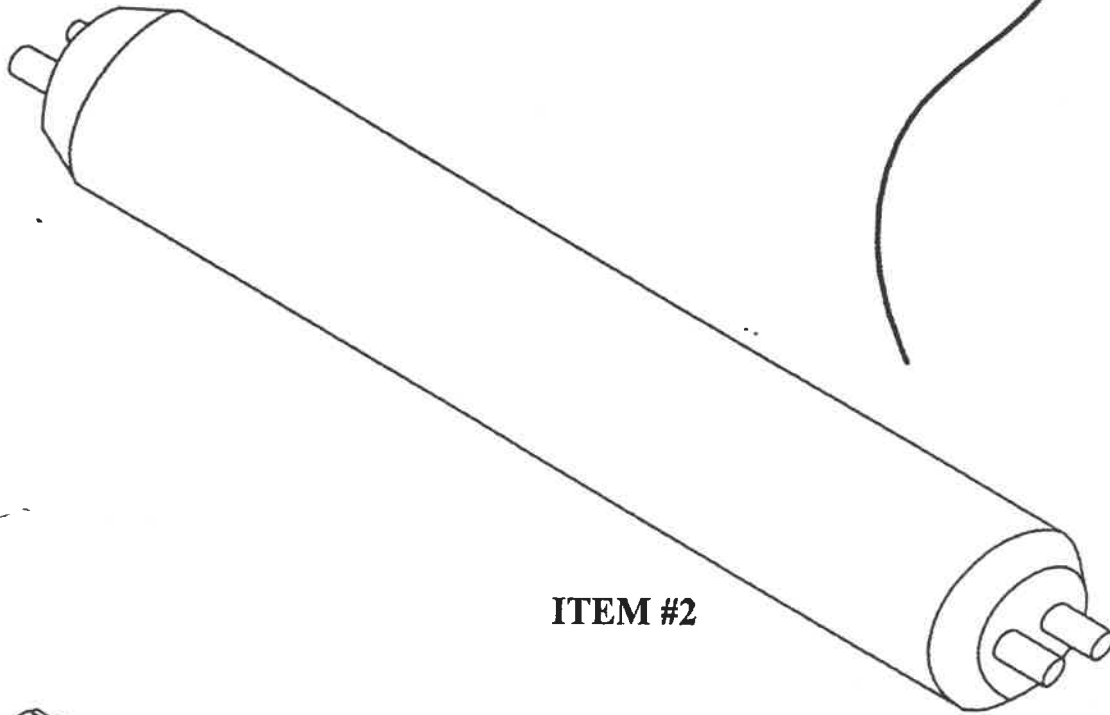
ITEM #7



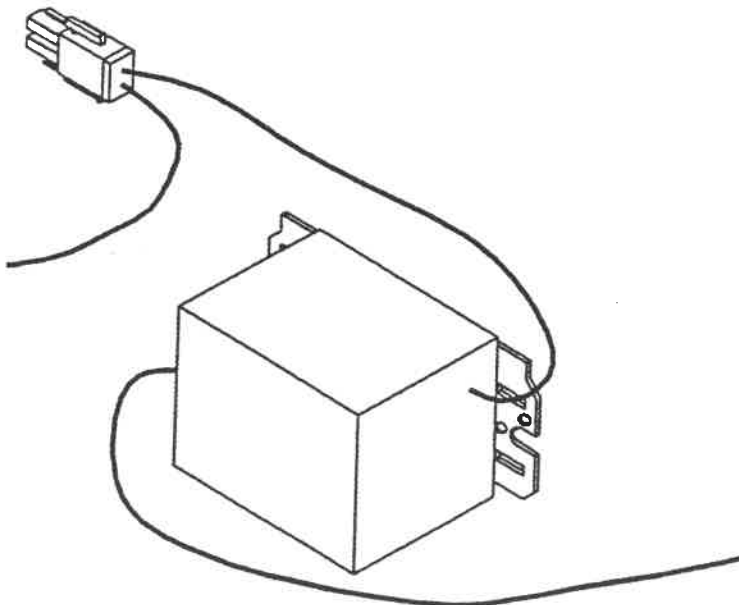
ITEM #4



ITEM #5



ITEM #2



ITEM #3

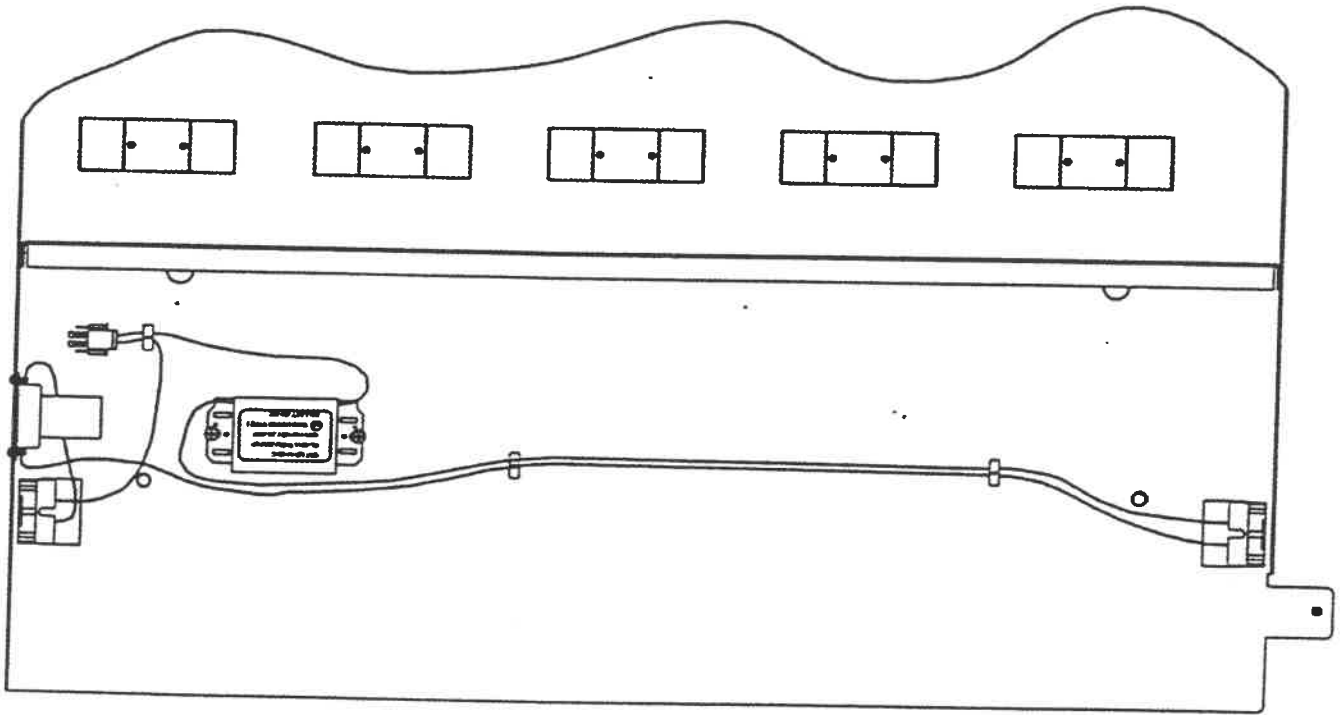


FIGURE 7

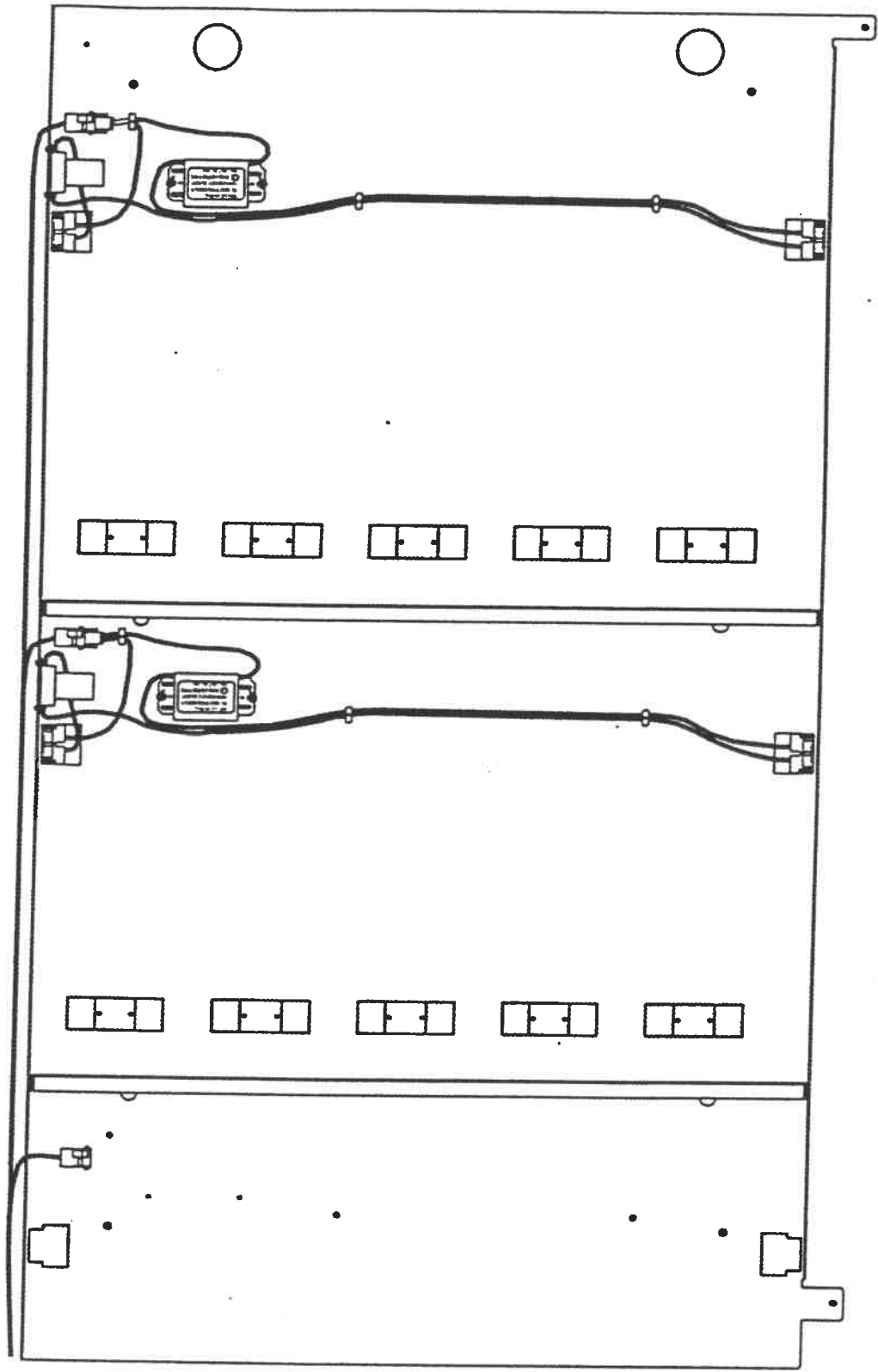


FIGURE 8